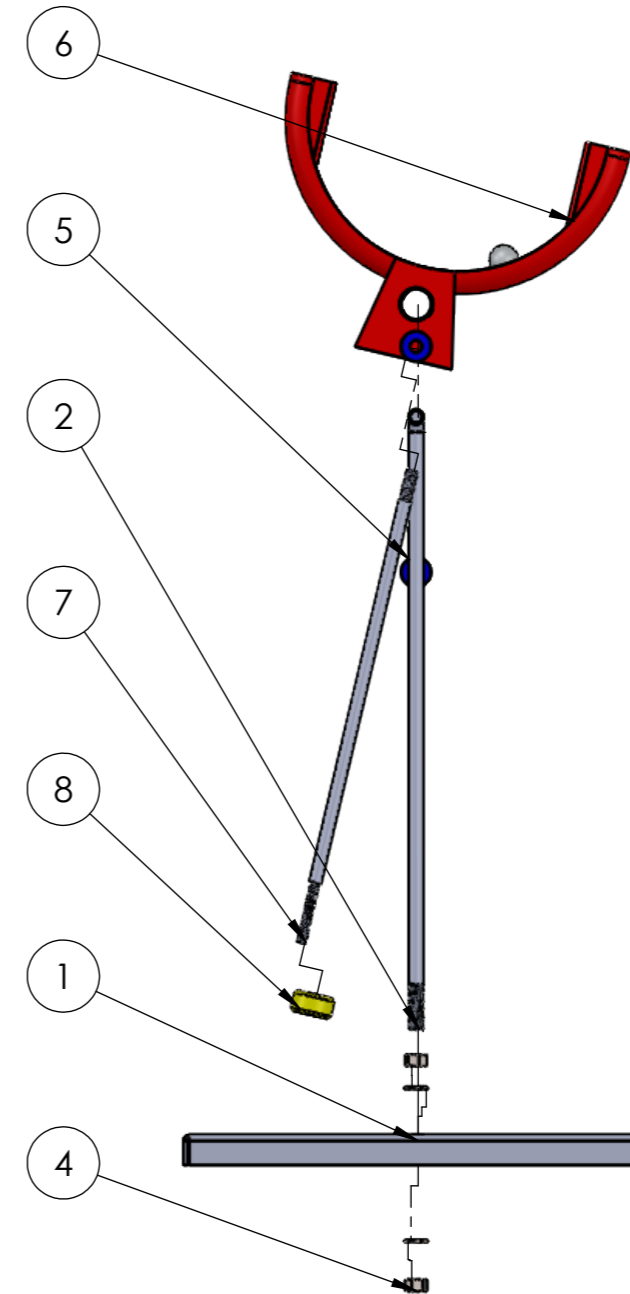
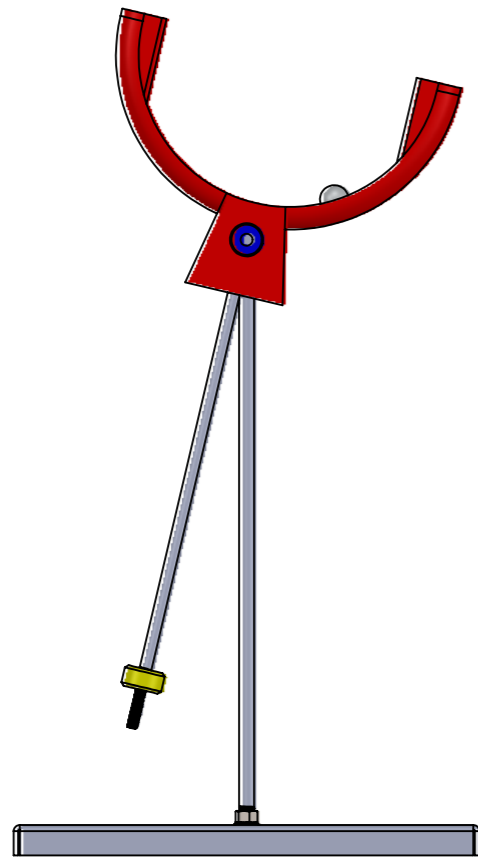


ITEM NO.	PART NUMBER	DESCRIPTION	QTY.
1	bodemplaat		1
2	poot		1
3	Washer ISO 7090 - 8		2
4	ISO - 4034 - M8 - N		2
5	lager		2
6	schuitje		1
7	slinger		1
8	cilinder voor zwenkel		1
9	metalen kogel		1



UNLESS OTHERWISE SPECIFIED: DIMENSIONS ARE IN MILLIMETERS SURFACE FINISH: TOLERANCES: LINEAR: ANGULAR:		FINISH:	DEBURR AND BREAK SHARP EDGES	DO NOT SCALE DRAWING	REVISION
DRAWN	NAME	DATE		TITLE: <b>Perpetuum mobile</b>	
CHK'D	Joost Tax & Bert Hooge Venterink	25-04-2019			
APPV'D					
MFG					
Q.A			MATERIAL:	DWG NO. <b>Assembly 4.0</b>	
			WEIGHT:	SCALE:1:2	A3
				SHEET 1 OF 1	